



WISDOM PLAYGROUNDS

Wisdom Playgrounds International GmbH
Hauptstraße 215, 09618 Grosshartmannsdorf
Germany
Mobile number: +49 162 831 92 11
p.koumoth@wisdomplaygroundsint.com

CUSTOMER'S GUIDE

Customer Name:

Sales Number:

Unit Number: SS-351D

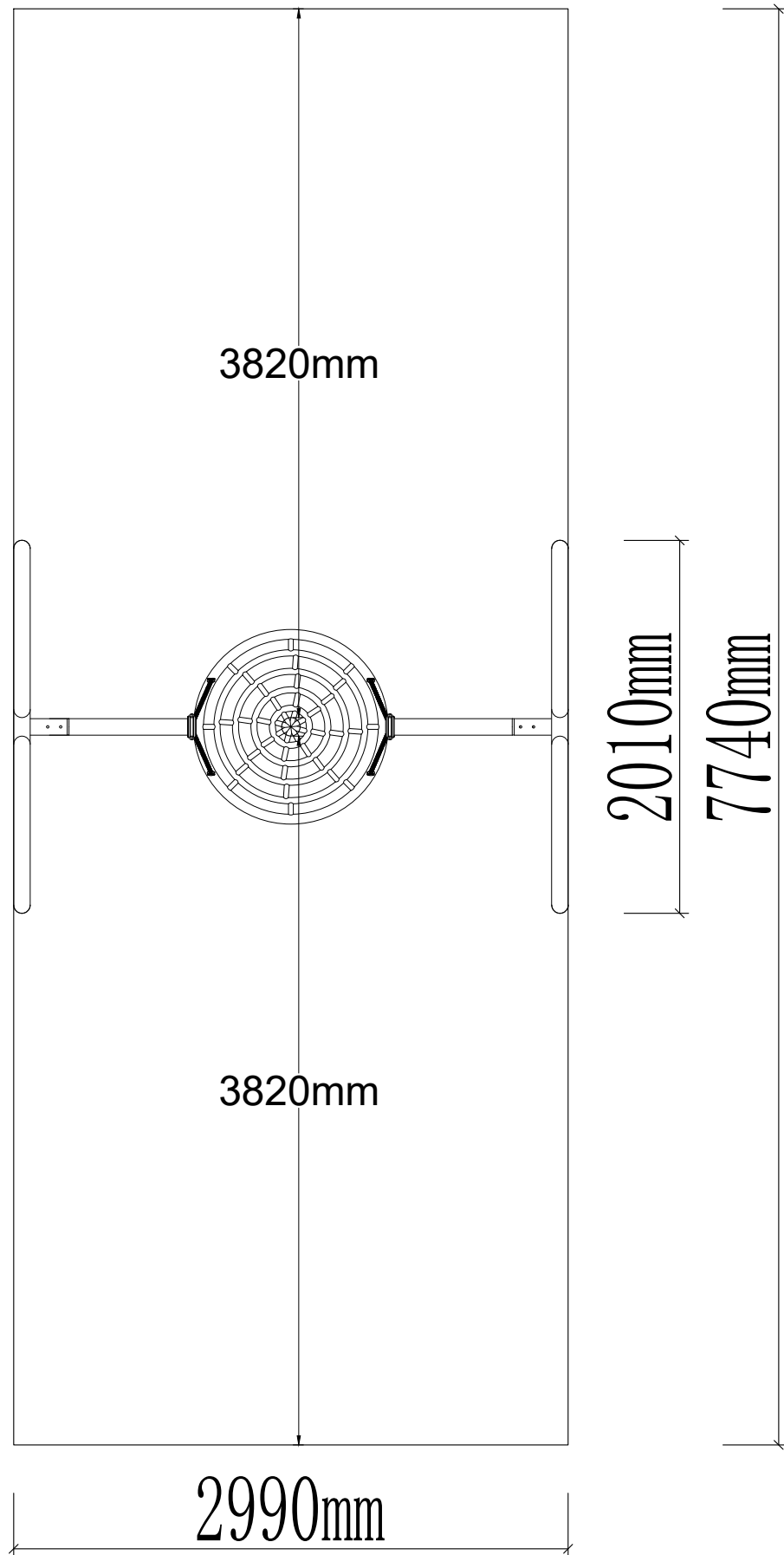
Distributor Name:

Distributor Phone Number:

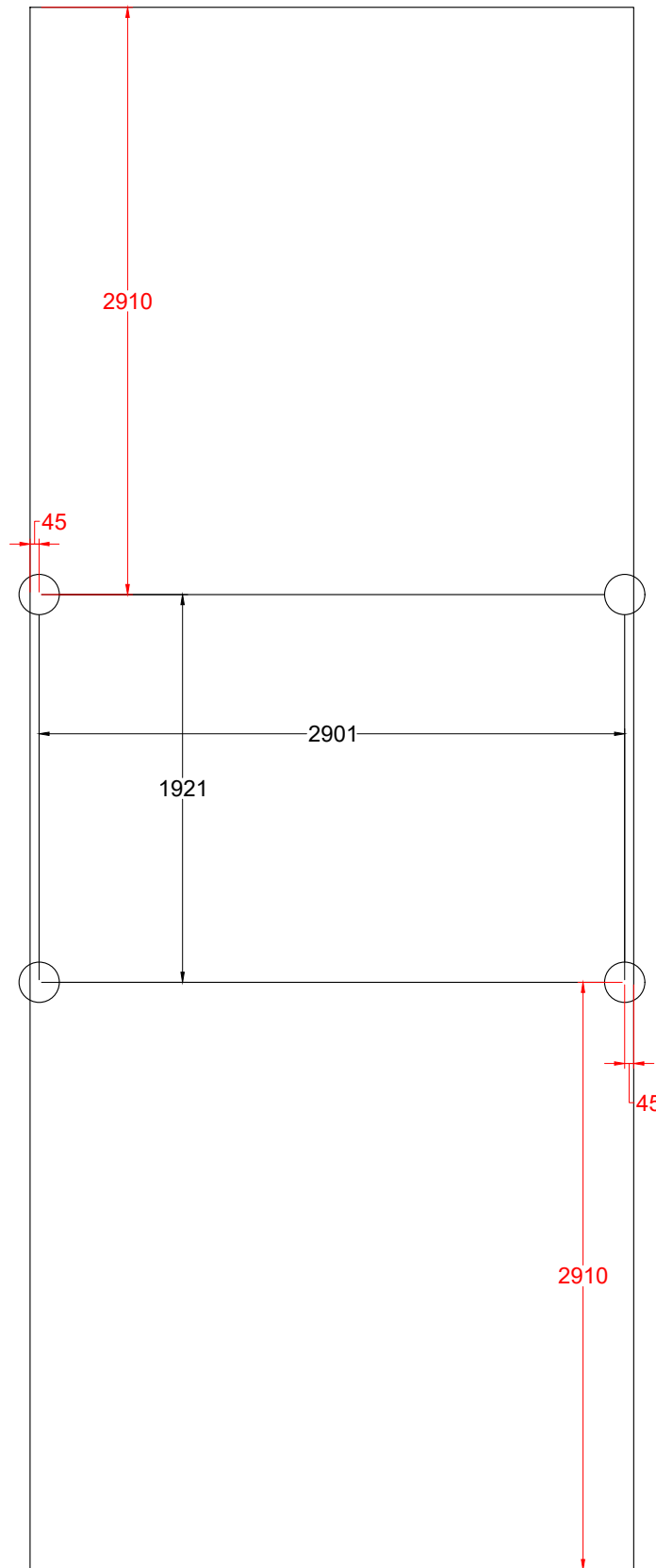
Making Date: 2026/3/11



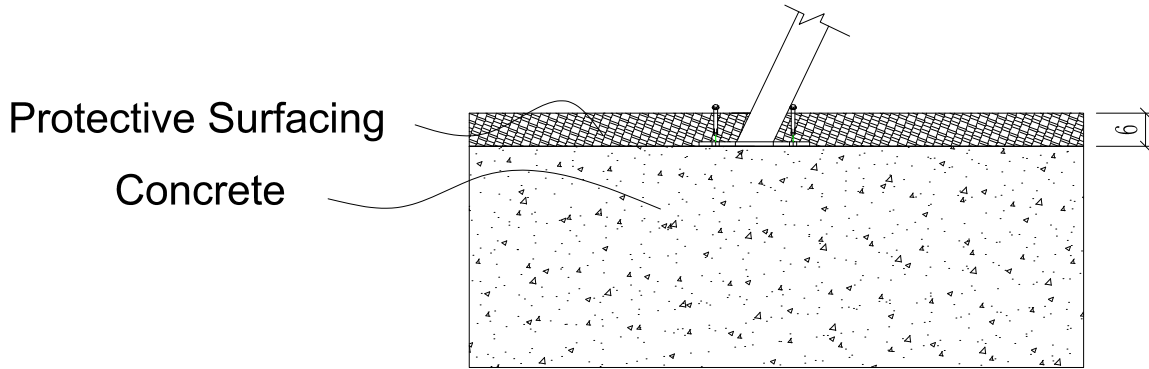
Site Layout



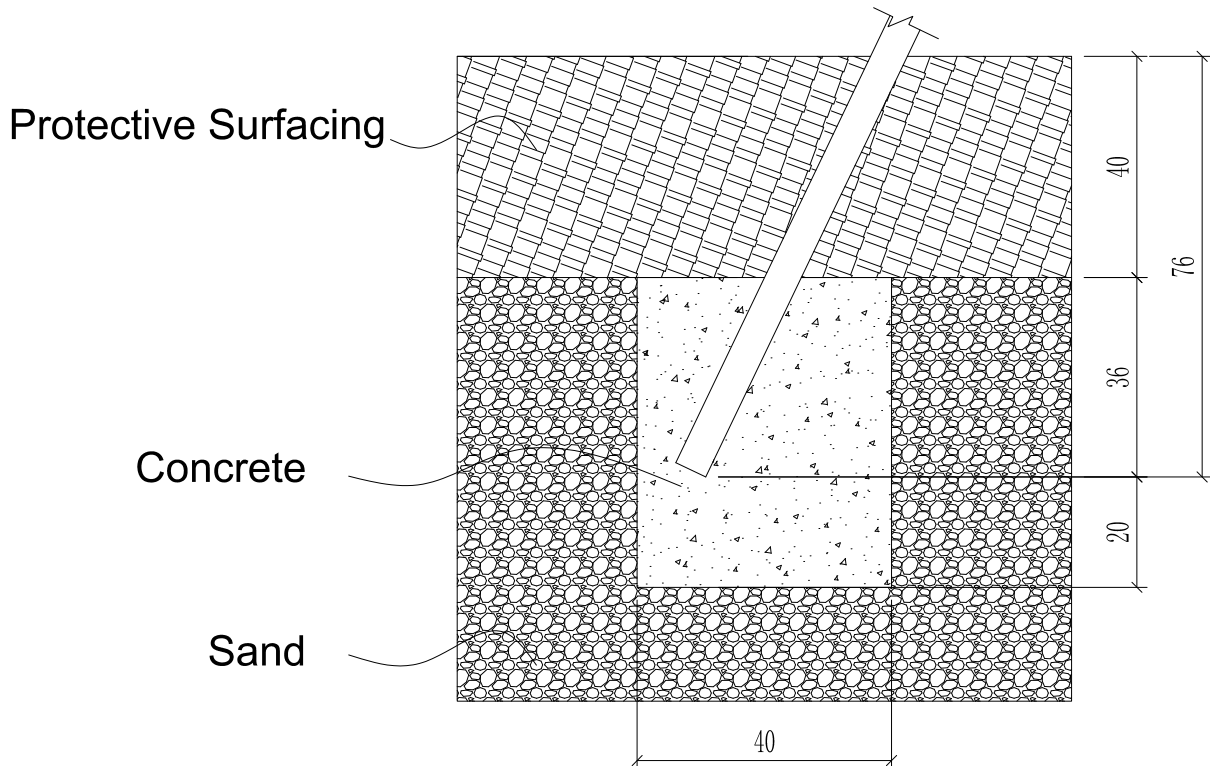
Footing Diagram



Surface Mounted Installation



Inground Installation



[cm]

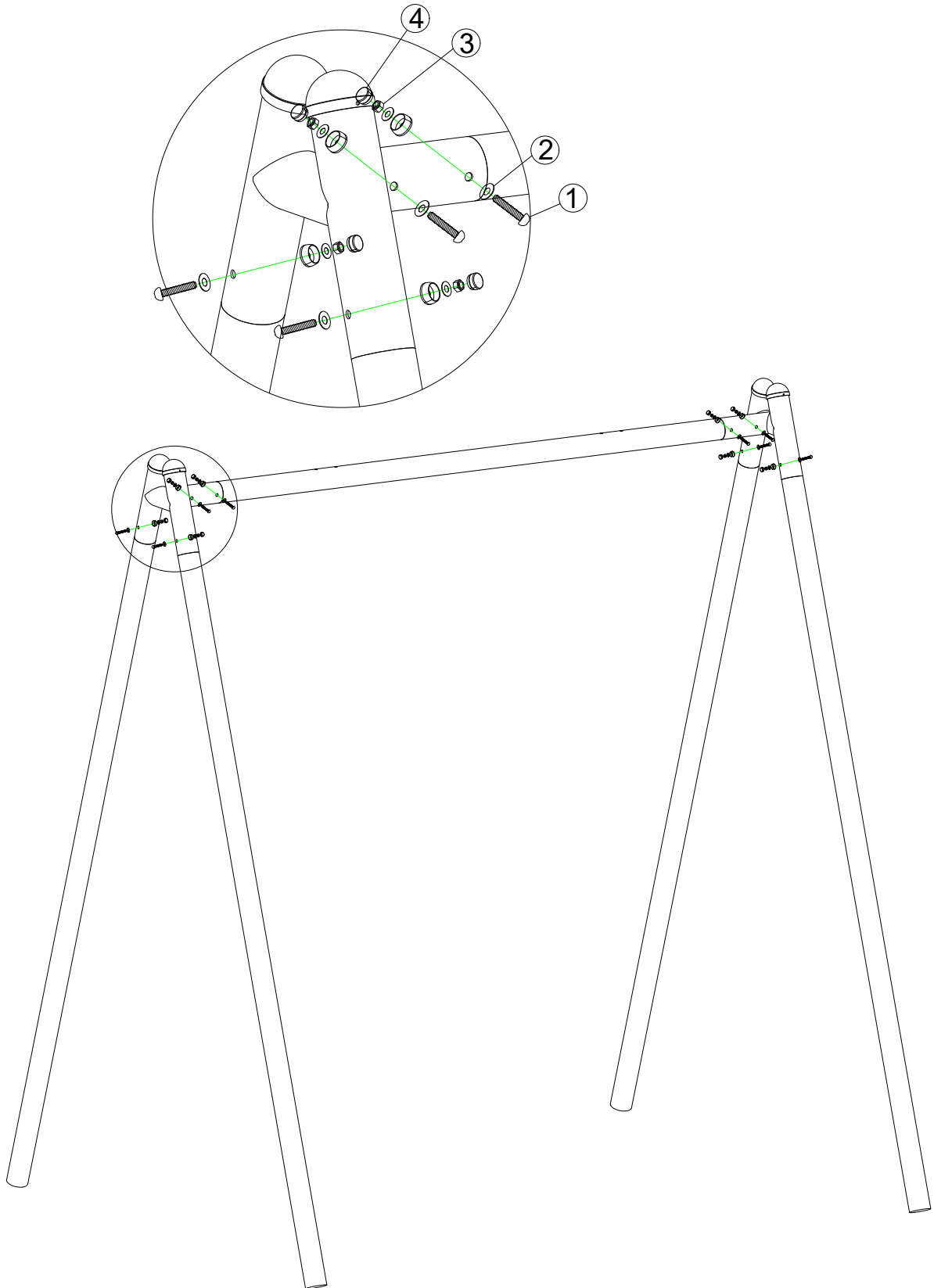
SSPJ-007 A-Type Galvanized Steel Post Side Connector

Installation steps:

1. Align the holes on the swing beam and metal posts with those on the A-frame swing connectors.

2: Insert corresponding hardware and tighten.

Number	Name	Model	Quantity
1	TAMPER RESISTANT TORX-BOLT	M8*110	8
2	FLAT WASHER	8.5/23.5*T1.5	16
3	LOCK NUT	M8	8
4	PLASTIC CAP	φ34 M10	8

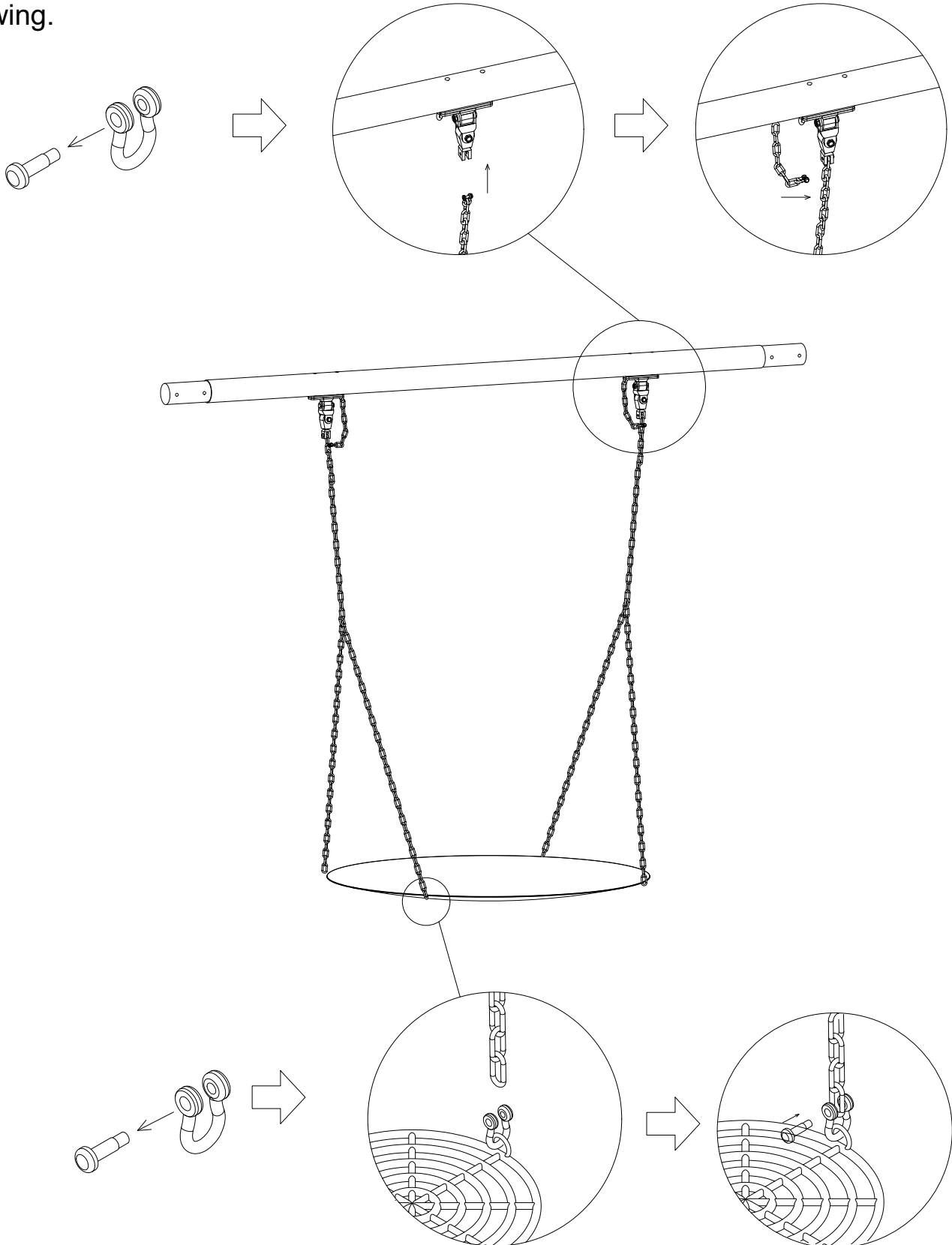


Number	Name	Model	Quantity

Installation steps:

1: Use 1 x Single Clevis Connector to connect Swing Clamp with Galvanized Chain, as shown on the overhead drawing.

2: Use 1 x Single Clevis Connector to connect Swing Clamp with Galvanized Chain, as shown on the overhead drawing.



Thank-You
for the
Opportunity
to
Serve You!



Wisdom Playgrounds International GmbH
Hauptstraße 215, 09618 Grosshartmannsdorf Germany
Mobile number: +49 162 831 92 11
p.koumoth@wisdomplaygroundsint.com