

Tornado

650005/10, 650015/20, 650025/30

Assembly instructions

Montageanleitung • Montagevejledning



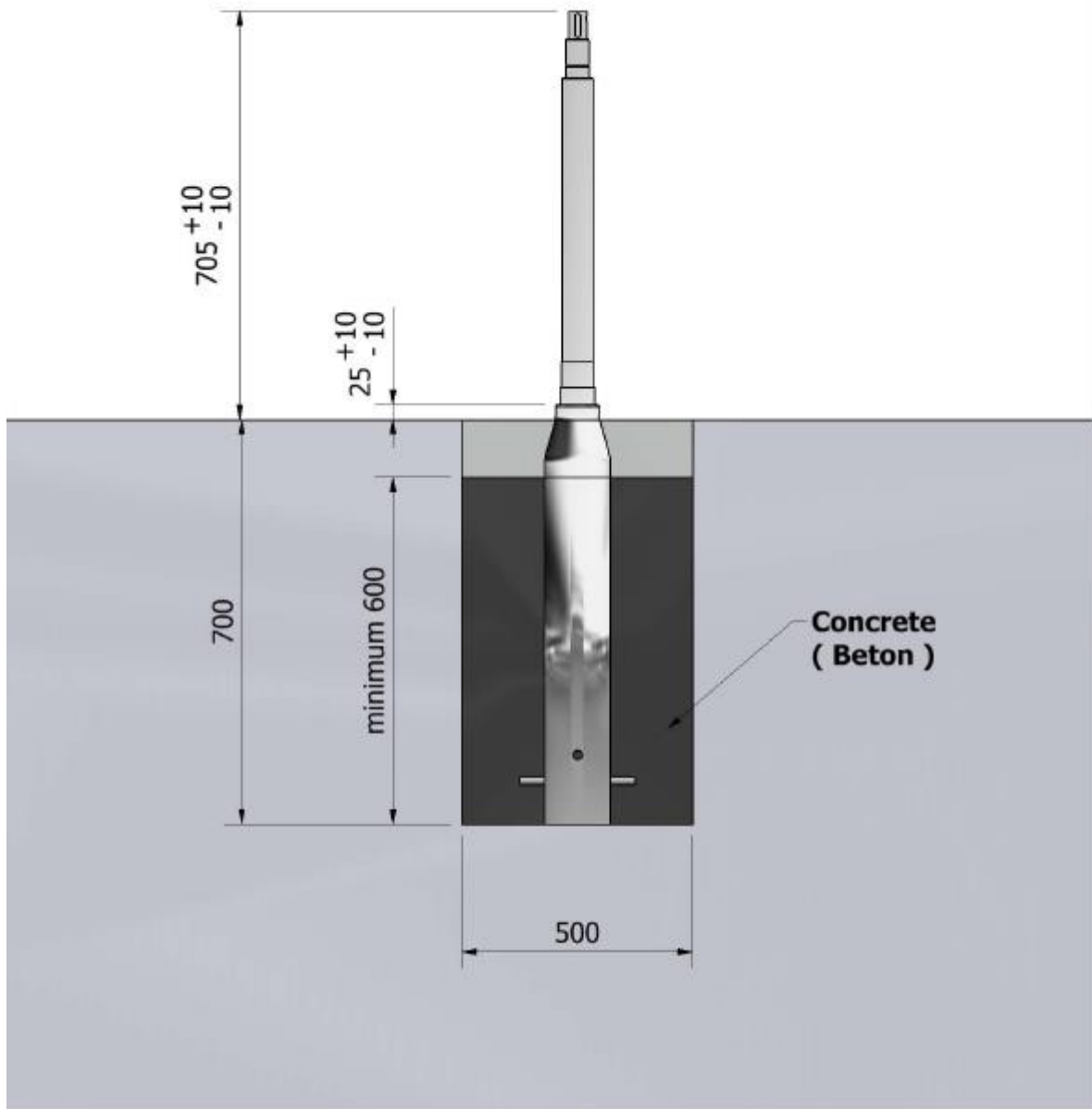
650010 / 650020 / 650030



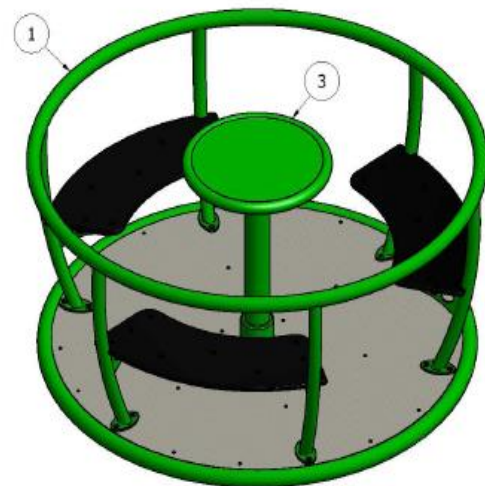
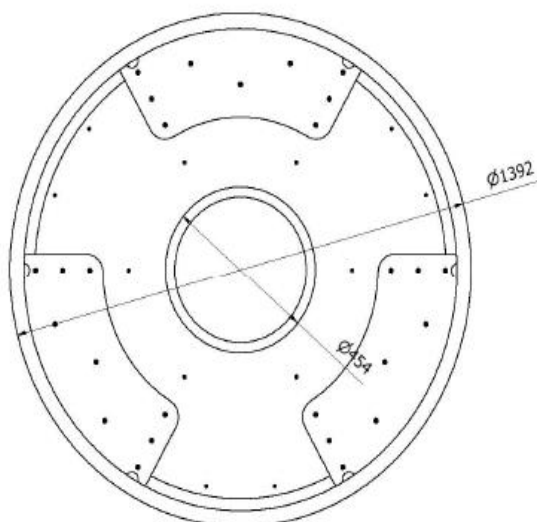
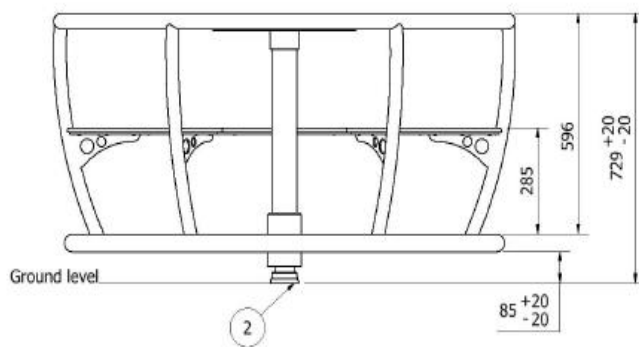
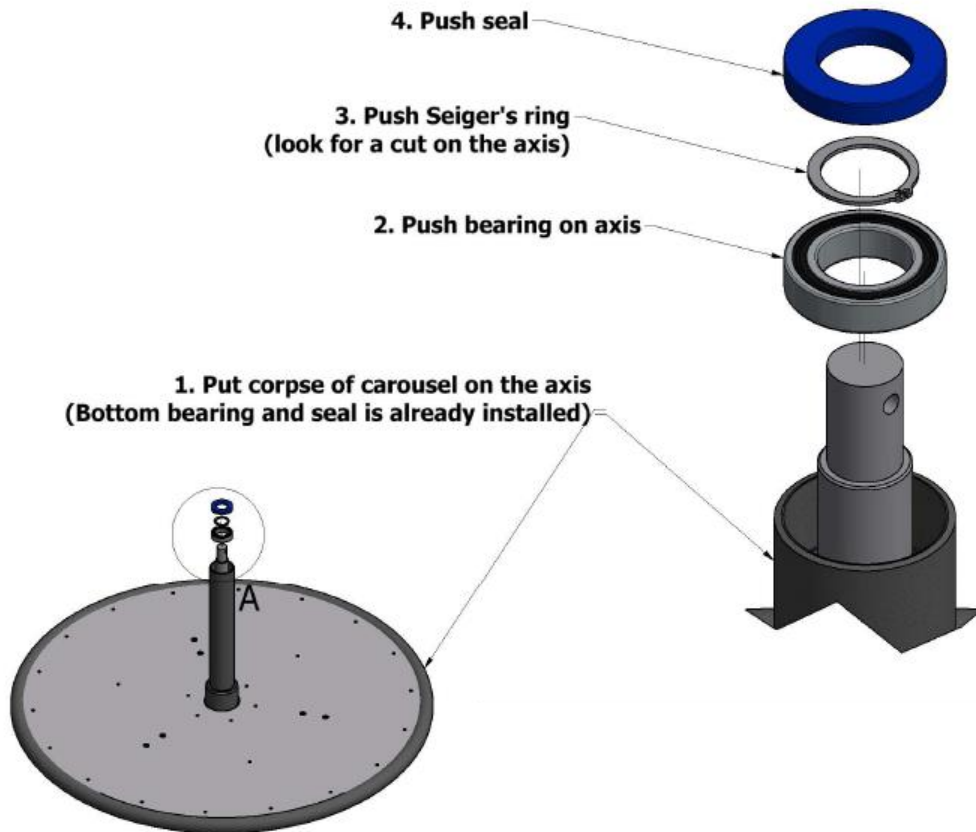
650005 / 650015 / 650025



650005-20: Ø140 x 70 cm
650025-30: Ø165 x 70 cm



A (1 : 2)



Elem.	Pcs.	No. Parts	Description
1	1	5147-K1	Corpse - set
2	1	50 GS	Axis set
3	1	50-T32	Disc
4	1	32011	Bearing
5	1	6008-2RS	Bearing
6	1	40x68x10 DIN 3760 AS	Seal
7	1	60x92x12 DIN 3760 AS	Seal
8	1	PN-81/M-85111 - Z 40	Seiger ring
9	1	PN-89/M-85023 - 8 x 50	Spring type pin
10	1	DIN 6885 - A 10x8x40	Parallel key